



PLEASE READ EACH PAGE-ARTICLE-NOTICE-EACH MONTH! Things Change!!

THIS LETTER GOES TO EACH OF THE 50 UNITED STATES, ALL PROVINCES OF CANADA, PUERTO RICO, THE VIRGIN ISLANDS, GUAM, PANAMA, MEXICO, JAPAN, CHINA, KOREA, TAIWAN, NEW ZEALAND, AUSTRALIA, GREENLAND, ICELAND, ENGLAND, SCOTLAND, IRELAND, SWEDEN, HOLLAND, WEST GERMANY, BELGIUM, FRANCE, ITALY, SWITZERLAND, ISRAEL, EGYPT, SAUDI ARABIA, KUWAIT, DOMINICAN REPUBLIC, COSTA RICA, HONDURAS, PANAMA and others.

Published sometime after the first of the month, depending upon fishing season, small game hunting season, large game hunting season, shooting range practice, hives, arthritis, heart problems, writer's cramp, rain, sleet, snow, hail, wind, drought, power bumps, power outages, possibility of lightning strikes, actual strikes, lack of sleep, lack of time, but certainly not lack of dedication to the cause of the computer user.

We encourage articles from both our members and the general public. SEE OUR ONGOING CONTEST! If you would like to see your articles in print, send them to us with written permission to print. All programs, games, graphics, etc., sent us must be written on standard 8 1/2 by 11 paper, on disk or data pack.

ADVERTISEMENTS: If you wish to place an ad, send us a copy of the ad, or tell us to format it ourselves. We encourage pre-printed ads, to be used as inserts, but page size cannot exceed that of the newsletter. Extremely low rates! Helping you, helps us.

REMEMBER, ADAM, and IBM-COMPATIBLE USERS! THIS PUBLICATION IS DEDICATED TO YOU! TELL US WHAT YOU WANT. We will do our best.

The ADAMLAND News is a publication of the INTERNATIONAL COMPUTER USERS GROUP. The GROUP is a producer of software, hardware and special devices to be used with many computers.

Neither The ADAMLAND News, nor the INTERNATIONAL COMPUTER USERS GROUP, are connected in any way with any other manufacturer, unless it is so stated.

Product names mentioned in this publication are for reference and identification only, and ARE IN NO WAY INTENDED AS COPYRIGHT OR TRADEMARK INFRINGEMENT. We also give mention/credit to others whenever possible, and when we are certain where the credit belongs.

PRICES, SPECIFICATIONS AND OUR RULES OF OPERATION ARE SUBJECT TO CHANGE WITHOUT PRIOR NOTICE, ITEMS MAY BE DROPPED FROM SALE OR PRODUCTION, RESTORED TO SALES OR PRODUCTION, WITHOUT NOTICE. NOT RESPONSIBLE FOR TYPOGRAPHICAL ERRORS.

IF YOU WRITE IN, WANTING THE ANSWERS TO CERTAIN QUESTIONS, AND DO NOT RECEIVE AN ANSWER, the most likely reason is that your question(s) have just been, or are about to be, answered in the newsletter.

\ \ \ \ \ EDITORIAL / / / / /  
by BUCK

NED

"FIRSTS", and END RESULTS

When ADAMLAND was first started, and from time to time, we circulated questionnaires, asking the ADAM owners what they wanted, so that we could work in that direction. In response to these answers, we came up with many advances for the ADAM computer.

We came out with the 64K memory upgrade for ADAM. It sold very slowly, but continues to sell, slowly. Other outfits were quick to copy it.

Also, we were the first to offer 128K memory upgrades for ADAM. A large amount of man-hours and money went into this item. The ADAM owners supported it so well that in the first nine months, we sold exactly NINE units!. Again, other outfits were quick to copy.

Again responding to demand, we were the first to offer 256K memory upgrades. As a result of putting another bundle of money, and a great deal of man-hours into this, we sold FOURTEEN units in about the same time period as before.

Next, we came out with 512K memory upgrade, and very quickly replaced it with our 2.2 Megabyte memory upgrade. The reason for this was that the actual cost of the two were so near, it was more practical to produce the 2.2 Meg board, and let the member populate it with whatever was desired, anything from 64K, to the full 2.2 Mb. This was produced with a Hard Disk Interface, and Print Spool operations, so that ADAM would be immediately freed, to continue operations while printing. At the time of this writing, we are still the only outfit offering such a board for ADAM. It can also be used with most any Z80 based computer.

This last one has sold so well that it would appear that we can break even on it somewhere around the year 2056. In order to come out of these disasters and to stay afloat, we sold the 128, 256, and 512K board setups outright, to other manufacturers. We also sold the manufacturing rights to the 2.2 Meg board, reserving the right to sell the board, and service it, but not to install it, or to sell computers in which it had been installed. This means that we can service it only if it is not connected to a computer.

The next fiasco was in answer to the questionnaires also. It seemed that the vast majority wanted Hi-Res, RGB, and an 80 column screen capability. We made it, sampled the market, everyone said it was too costly. "After all, if you were only paying \$199.00 for the discontinued computer, why should you pay more than twice that for the upgrade?" This is utterly childish thinking, totally without reason and logic. A lot of money went down the drain again. Our prototype was purchased by a military person stationed in Europe, she has used it daily, in her clerical work, and has not experienced any failures requiring repair!. She also agreed, in writing, not to let anyone take it apart, and that if it ever requires service, we shall be the service agency.

Next, everyone wanted a double sided disk drive. We came out with two drives, one a 3" and the other Double sided, QUAD DENSITY! Naturally it would cost several millions of dollars to start our own production line for this item, so we "farmed" it out, to an offshore manufacturer, and it required a very large minimum guarantee, on our part. The money was furnished. Since we could not place an initial order of a comparable size to that which would be order by a large computer producer, we had to agree to "it will be produced at the end of production runs, and when practical".

The first shipment arrived, after long, long delay. These had a 90% rejection rate, when tested here. After successive delays, promises of shipment, etc., the second shipment arrived. Some recognized only one side of the disk, others would read and write only once, while others "ate" data like a meat hungry cannibal. Some of these would lose part of their data each time you called them up. None of the problems were due to our design, the mechanical work, and the quality of the chips were not anywhere near what they should have been. We are still in litigation with the manufacturer over this. They periodically ship us one, to as many as TWO drives! These operate correctly, and fill their contractual agreement. We shall NOT deliver any more of these drives until the litigation is over, for obvious reasons.

The latest near-fiasco was with our new word processor for ADAM. This is a necessity, to get rid of all the defects in the ADAM SMARTwriter, and to upgrade to 48 columns, standard, more if desired, allowing use of larger formats. Also, the word processor comes up on "power-up", totally replacing SMARTwriter, and NOT using any RAM, as would substitute systems entered from disk or ddp. After a long search by our attorneys, they found no reason why we could not name it "-----". After it was completely debugged and announced, we were notified that the name, not any part of the actual system, was held by another company!. Now we have to remove the name, redo all advertising material, including color brochures, scrap all chips using that name, and redo the system with another name!.

If we only had a crystal ball, so that we could determine what the ADAM users would support with their pocketbooks and wallets, instead of their voices! We are terribly in debt, because of lack of purchasing support, as shown above.

IF EACH MEMBER WOULD GET US ONE, TWO, THREE, or FOUR MORE MEMBERS, our sales base would be greatly increased, we could hire paid workers here, and this would be a great help toward getting us on an even keel again. Give a gift subscription to someone! If you give a gift membership, and get us three new members, you will receive a free one year added membership! If you do not get them all at one time, your credits will add up as you get them! As a further incentive, we will give you a certificate good for \$5.00 toward purchase of any software, for each new membership you obtain. May we count on your help?

@ ! ! ! ! ! G R O U P N E W S ! ! ! ! !

by A. Suzuki

It was only thru the valiant efforts of a determined few that a lynching of the local weather man was aborted.

No meeting this month, or rather no-one could attend! Frozen fog! For days, we had fog standing in the air, from afternoon, thru the night, till about ten or so in the morning. Aircraft landings and takeoffs were impossible. Driving a car was extremely hazardous, so much so that little except emergency traffic moved. The trees, and all other things, were covered not with snow, of which there was already plenty, but with inches of frozen fog! Trying to drive a car just mashed the frozen fog on your windshield, to the point where wipers were useless. Those vehicles which did move, had headlights covered with ice, and the trailing edge of auto antennas, and everything else, had inches of ice, as decoration.

In the middle of all this, a major power transformer exploded, leaving all of Riverton and surrounding territory without electricity from 3:30 PM until 6:00 PM the following day, when an emergency transformer took over, supplying only about 1/4 of Riverton itself! NO EMERGENCY TRANSFORMER WAS IMMEDIATELY AVAILABLE! Clever thinking, by our Public Service persons! One had to be brought in from Oregon! And was days on the way! No "juice" in the meantime, except for a few, with even the airports closed to commercial traffic. Two private pilots killed, trying to make it to Lander, from Idaho.

Some stores stayed open evenings, and sales personnel assisted customers, by flashlight. One major supermarket sold all their beef at half-price, any cut. Well, it would haven't have spoiled! It was too darn cold! United Parcel Service was closed. No-place which relied upon computers run from the mains, for cash registers, etc., could stay open. Gas stations could not pump gas, a further incentive to stay home. Even McDonald's was serving cold sandwiches, no hot coffee.

Telephone service in some areas was curtailed. Fires were a big problem, from people trying to stay warm, in buildings normally heated only by electricity, or which used electric fan blowers to move heat. Around here, it is a bad sign, when the sign says "100% electric".

Fortunately, my place has an old fashioned two hole cooktop wood stove on the front porch, a convection gas furnace on the back porch (doesn't require electricity), three kerosene lamps, for just such emergencies, and of course our camping equipment gasoline lanterns, and camping stoves. Our cookstove & oven is GAS, not electric. If all else fail, I would just wase the snow, or whatever, to my camper truck, which is entirely self contained, and kept supplied for at least a month. Buck has a similar setup, and so do most of us around the "mountain madness area".

At ADAMLAND, there is a backup generator, gasoline powered, and sufficient fuel always on hand to keep it running for at least a month. Gas and wood furnaces there, too. Supplies of most every kind, to fit almost every possible emergency situation are in stock. Believe me, it pays. Most people these days have what is called "supermarket dependency syndrome" (Buck's favorite phrase) meaning that instead of keeping the necessities on hand, in sufficient quantity to survive even a temporary breakdown in the distribution system, they have gotten into the habit of thinking that "the supply is only as far away as the nearest store". Tain't always so neighbor! And a good time was NOT had by all.

[ ] [ ] [ ] THE MONITOR [ ] [ ] [ ]  
by BUCK

THE FLOPPY DISK AND THE FLOPPY DISK DRIVE

For years, since the first floppy disk drive was made, two very fragile, easily disturbed, easily broken, highly "electronically emotional" devices have existed.

As time has passed, one element has gotten considerably better, yet leaves much to be desired. The disk drives have improved drastically, while the floppies themselves have remained vulnerable to dust, liquids, gases, smoke, fingerprint oils, hairsprays, ua\* ghastly gas driven deodorants, Angel's breath, Devil Drip, Gremlin Goo, Mosquito Muck, Fly Foo, Cockroach Cra-nberries, assorted and sundry other things that a particular disk may, find foulsome to its sensitive risibilities. Many a program, megabillions of megabytes of data, countless games, have fallen victim to the foregoing. We have suffered, for the most part, in ignorant silence, afraid to appeal to the lords called engineers and manufacturers.

Suddenly a small ray of hope appears, as if by magic! Sony has announced that they will be producing floppies with TEFLON coatings.

This bothers me. Why now? What took so long? Why in the name of creation didn't someone think of this before? Or if they did, what happened to the idea? We poor computer users just sit on our duffs and continue to consume whatever orts the manufacturers push on us. We complain quietly, for the most part ( I don't! When the data blows, so do I! The Wind River Valley reverberates with my bellows and screams. Thousands of tall pines fall from the wind. Oh well, they probably were infested with the pine beetle, anyway).

A step forward? Certainly, these disks will be a step in the right direction. Definitely not a large step for mankind. But a help.

There are many other forms of storage lurking about, out there in the hinterlands, just waiting to be sprung on the public. Since the disk, as we know it, is about at the molecular level of its performance, bring us another morsel!

Next step would seem to be a device similar to a ROM chip, capable of being programmed, written to, read from and erased, all from the keyboard, as desired.

Perhaps the finished product could be a whole board, with these chips, sililar to a drive, which could be inserted into an electronic "drive". Preferably it would hold a megabyte or more, and be encased in a tamper-proof, accident proof, static proof, dust proof, liquid proof case.

Today, the technology it there, the need is there, the manufacturers are there. Let's tell them to get at it! (Remember, you heard it here first!)

\*ua (underarm, of course)

**!! SPECIAL SALE !!**

**UNTIL JANUARY 15, 1988**

**OUR HOLIDAY GIFTS TO MEMBERS!!**

**#MFEC Multifunction Exp. Cabinet  
as listed, our ad CUT to \$ 99.95**

**#BM-2 Two + Megabyte Memory Board  
for ADAM, CUT to only \$320.00!!**

**#AI-1 ADAM-IBM Conversion, as listed  
our ads, CUT to \$450.00  
Nearly a hundred fifty bucks off!**

**These are special order items, and  
after JANUARY 15, std prices apply!**

**TAKE 15% OFF any other advertised  
hardware items on our  
NEW PRODUCTS FOR ADAM List!**

**Orders not received in time for  
pre Holidays delivery, will be  
delivered after the Holidays**

**DONT WAIT! GET ORDERS IN NOW!!!!**

NEW PRODUCTS FOR UPGRADING THE ADAM COMPUTER

-----AVAILABLE ONLY FROM ADAMLAND-----

THE SUPERSWITCH: Pushbutton select from any combination, such as two computers and a VCR, or one monitor or TV. ADAM cable goes to switch, Gold End monitor cable supplied. Usable with more than one computer, work on one while the other is printing, or watch a movie from the VCR, all without changing cables! SS-3, \$21.95 + \$2.50 HIS, CONUS.

ARE-2 RESOLUTION ENHANCER: Use with Stand Alone model or Expansion Module. Improves readability of text, graphics & colors. Removes blurs & smears. No internal connections, easy to install. Includes Gold End Cable. #ARE-2, \$79.95, + \$7.50, HIS. IT DOES NOT PERFORM IN SOME INSTANCES! If your ADAM, TV or monitor are doing their best, it is not needed. If your blurred, ghostly image is due to improper drive, improper match, it will make a dramatic difference. Now made in good ole US!

DESK MONITOR CABLE: Special GOLD END desk cable for ADAM. With genuine gold plated ends for low loss, perfect connections. Helps stop screen clutter, helps keep picture clean. 3 ft. \$6.95 + \$2.50 HIS, CONUS. 6 ft. \$9.95 + \$2.50 HIS, CONUS

CLOCK-CALENDAR: Gives time and date at turn on, and whenever called up, will also print on printout. #CC-2, \$79.95 installed. THIS IS THE ONLY ONE OF ITS TYPE AVAILABLE FOR ADAM!

ADAM RAM 64: ADAM 64K Memory Upgrade, installs in slot #3. Extends storage in SMARTwriter, adds to SMARTbasic, allows multitasking in ADAMCALC, lets you print while working. Very valuable for CP/M, for long programs, speeds up ADAM, THE BEST THERE IS IN 64K! #AR-64, \$49.95 + \$2.50, HIS, CONUS

ADAM 1200 MODEM: MODEM AND INTERFACE CABLE, FOR USE WITH ADAM. THIS IS BRAND NEW! High speed, saves a lot of money and time on long distance access calls!. Operates at 300 or 1200 baud. Auto-dial, Auto-answer, AT command set and Hayes compatible, and all the goodies a fine modem should have, and priced lower! #ADAM 1200-\$169.95, + \$5.00 His, CONUS (External modem, all controls, on lights on front)

ADAM EXTERNAL POWER SUPPLY: Replaces ADAM's which is in the printer, allowing the use of a different printer. Easily connected. #AEPS, \$27.50, + \$7.50 HIS CONUS. THIS IS AN IDENTICAL REPLACEMENT!

ADAM BIG MEMORY: 2+ Megabyte upgrade for ADAM! Supplied with 256K, user upgradable to 2+ Meg. On same card is INTERFACE CONNECTION FOR HARD DISK! Use as RAM DISK, PRINT SPOOLER, etc., Ever notice how ADAM (or any other computer) slows down, way down, as you come nearer to using up the available memory? Add lightning to ADAM! With documentation, software, etc., #BM-2, \$399.95, + \$7.50, HIS CONUS. ADDITIONAL memory, in 256K blocks available from us, and we strongly recommend our chips. "BARGAIN" chips are almost never a bargain.

41256 "C" type chips. The low current drain ones, 150 ns or better, \$54.00 for 256K, 120 ns \$59.95. NO HIS if installed on your board, when board is ordered. \$2.50 HIS if ordered separately. Whether or not you realize it, there is a BIG difference in chips! Order as much memory as you want, we will send or install on our RM board for you. If you "go" for cheap chips, you'll be sorry!

SPEED SYSTEM: The name of the game in computers is SPEED! ADAM operating speed is 4 Mhz. We can alter your ADAM to 6 MHz (same speed as IBM standard AT) or even 8 Mhz. Modernize that ADAM! Compatible with all ADAM systems, etc. Write for prices.

LIGHT PEN FOR ADAM: PAINT ON SCREEN, DO GRAPHICS, LOGOS, ERASE, MAKE MENU SELECTIONS, USE AS DIRECT ACTION CURSOR. Do design work, make cartoons, banners, signs, figures, etc. With interface, software, instructions. ONLY TWO MODELS available, Master, #M-1, \$169.95, and the cordless professional model #PC-1, \$259.95. Either + \$5.00 HIS CONUS. (Now made in good ole US)

NEW WORD PROCESSOR FOR ADAM: Installed on motherboard, is the default program, coming on at "power-up". DOES NOT USE UP YOUR RAM MEMORY, as does any system or program entered from Disk or DDP. Solves the deadly ADAM "bump", spacing problems, and all the other programming problems with ADAM's system. We will later make it possible for you to also have ADAM's operating system on board too, but not at present. (Just not enough help, at present) \$165.00, installed, with manuals, etc. + return shipping of your console \$10.00. CONUS. (Name change in progress)

COMPANION CALC: New, installed on motherboard calc program, far superior to ADAMCALC. Called up from keyboard. Integrates with the new word processor. Also does not use up your valuable RAM for the program. CP/M 2.2 and CP/M 3 (CP/M+) compatible too. Will be ready about February.

NOTE PRICE CHANGES, AND HIS CHANGES!

Cont'd, next page

## MORE NEW PRODUCTS

LAP TOP ADAM? Not really, but you can get the same effect with one of our long keyboard to console cables. Sit in your easy chair, stretchout on the floor, or work from your bed. No more being tied to ADAM by a "short umbilical cord" 10 ft \$10.95, 15 ft \$13.95, 20 ft \$16.95, 25 ft \$19.95, any + \$3.50 HIS, CONUS

ADAM-IBM COMBINATION. Now your ADAM can use IBM programs, with all the windowing, multitasking, colors, and other abilities that combining the two systems allows. None of the capabilities of ADAM are lost, and you gain a great deal in the IBM-Compatible features. After installation, you may choose instantly to run as an ADAM system, an IBM system, or even a mix of the two! All systems are converted instantly to operate in the IBM system, this means ADAM data drives, disk drives, console and keyboard respond to either ADAM commands, or IBM commands! Our system is a TRUE 16 bit, not an 8/16, like the IBM XT. Operating at 6 Mhz, with full input & output at the cpu, it is very very fast, faster than a Turbo XT, and as fast as a good AT. You can use CP/M 2, 2, CP/M 3 (CP/M +), CP/M 86, BASIC, MS-DOS, all ADAM systems. 100% text compatible with IBM, will run many IBM programs, except those which are "hardware dependent". These will require software patches, or hardware additions. Must be installed by the purchaser. DO NOT PURCHASE IF YOU ARE NOT PROFICIENT IN FOLLOWING INSTRUCTIONS, and in soldering, desoldering. If you have ever built electronic projects, you will have little problem. Size: 15 inches wide, 18 1/2 inches long, 8 inches high. Regular price \$AT-1, \$599.95 + \$15.00 HIS, CONUS. Four operating, setup, instruction, manuals.

THIS CO-PROCESSOR IS NOT LIMITED TO BEING USED WITH ADAM!. It can be interfaced with almost any computer which uses the Z-80 family of chips as the CPU. If you are interested in using it with another computer, write, telling us all about the computer, and we will advise whether it is possible. Most are as easy to convert as ADAM or AMSTRAD.

WARNING! Do not overestimate your, or a computer friends prowess. If damaged, you will have to stand the cost of repairs. We will not accept its return just because of your inability to understand it, or because you have ruined it. It, like other complicated computer boards, can be ruined by a static discharge from your body! Items such as these are not "plug 'n play", they require some work, and some programming. If the instructions are followed, and you use logical progression, you will gain a great deal of computer knowledge, and will have a computer of which you can be justifiably proud.

MULTIFUNCTION EXPANSION CABINET: A cabinet and power supply ideally suited for the handy person, for housing upgrades and additions to most any computer. Ideal for the ADAM-IBM conversion, BIG MEM., etc. COLOR: IBM BEIGE....PAINTED STEEL CABINET, EPOXY.... Neoprene feet....Ventilated front panel....Fully fan cooled with ROTRON "Whisper" fan...Heavy duty IBM style power cord.... Cutout for system reset switch...Heavy duty front mounted rocker switch, with panel indicators. Front panel cutout, can be used or covered as desired. Heavy duty power supply on a slide-in, edge-connector card, supplies +5 V, 5 Amps, -5 V .1 Amp, +12 V, .45 Amps, and +24 V 2 Amps.....Flip two locking levers and power supply slides out....Best EMI filtering system we have seen.....Input-output connectors on the rear. Finest construction you are likely to see. A truly professional piece, in looks, performance and adaptability. Ideal for the person not really sure what he/she will be adding in the future. How & what you put in it is up to you.

ALL BRAND NEW!

	#MFEC-1,	\$119.95, + \$15.00, HIS, CONUS
CABINET LESS POWER SUPPLY	#MFEC-1-LPS	\$69.95, + " " "
POWER SUPPLY SEPARATELY	#MFEC-PS	\$64.95, + " " "

All the MFEC units come with very detailed documentation, pictorial and schematic diagrams, repair info, parts lists, where obtainable, crossover indices, etc..Comparable cost nearly \$600.00! These cabinets have been used to house hard disk drives, floppy disk drives, tape backups, various expansion units. Originally, SPERRY ordered them for use in Advanced Airline Pilot Flight Training Simulators. Positively nothing but the best.

STANDARD PARALLEL MULTICONDUCTOR CABLE for the above: \$12.95, if needed.

Finest quality materials used. New. Usual price: \$24.95

NPRODII



## NEW PRODUCTS-PRINTERS

There are really only a very few printer manufacturers, producing printers under a great variety of names, even private labels. Some will be sold at low prices, some at moderate, and some at very high prices, although the ONLY DIFFERENCES MAY BE THE PACKAGING AND NAME ON THE PRINTER! ALL FEATURES IDENTICAL! We call these "GENERIC" printers, and search out the best buys for our members. It is also more practical to call them by a "generic" name. We supply our own generic name, for advertising purposes. This is very practical, since we may have exactly the same model, but under several names.

The foregoing also applies to monitors, modems, and many other computer additions. We are constantly searching for the best buys for our members.

### THE BEST PRINTERS FOR THE MONEY, ANYWHERE

"The PRINT STAR" LIST PRICE \$299.95

170-190 characters per second, draft mode

30-35 characters per second, GOOD Near Letter Quality

Adjustable Tractor feed standard, accepts single sheets

80 column carriage

Labels as small as 2 1/2 inches

3k buffer

does graphics

Standard Centronics Parallel interface

Epson compatible

one year warranty

A very satisfactory dot matrix printer, at a low member cost \$219.95

"The PRINT PRO" LIST PRICE \$1,000.00

295-310 characters per second, draft mode

55-65 characters per second, LETTER QUALITY MODE

136 column carriage

Many types of print, selectable from front panel pushbuttons

Makes labels, does superior graphics, pictures

8 k internal buffer

Pushbutton select type fonts, special characters, foreign languages.

Automatic cut sheet loader. Traction, pin, & friction feed

Accepts 32 k buffer

one year warranty, none better

Low member price, just \$579.00!!

"The PRINT MASTER" LIST PRICE \$529.00

235-245 characters per second, draft mode

45-55 characters per second, LETTER QUALITY MODE

80 column carriage, 136 column compressed

Prints elite, pica, compressed/expanded, italics, super/subscript, boldface, special characters, etc.

8k internal buffer

Makes labels, does hi-res graphics, prints pictures

Epson and IBM compatible

8k internal buffer

Front panel pushbutton selectable type fonts

Accepts 32 k buffer, bin type cut sheet feeder

Centronics parallel, IBM parallel standard

one year warranty

Top quality printer, usable on all computers.

Made to run continuously, trouble free

Your member cost, \$349.95

ADAMLAND carries all accessories for these printers, including cables for matching most all computers, ribbons, spare print heads, etc.

The PRINT STAR makes a good printer for ADAM, with the proper interface, and will produce your data, etc., at a rate of about equal to THIRTEEN TIMES as fast as ADAM! While at letter quality, it still produces print at about 3 times what ADAM will do.

The PRINT MASTER is about state of the art in an 80 column printer. It will do just about anything you would ever want a printer to do, except it will not do a full 136 columns, in pica or elite.

The PRINT PRO is at the state of the art in a 136 column printer. Of course it will print 80 column, or less, if needed. It is truly a professional unit.

--- A D V E R T I S E M E N T S ---

T - SHIRT DECALS

Specially designed for the ADAM Computer and the ADAM Computer buff.

This decal is 8 by 11 inches, buff with black trim and displays an ADAM keyboard, two controllers, supported by an ADAM console, two disk drives with a printer on top. Paper in the printer has an important message, "I GOT ARTIFICIAL INTELLIGENCE".

The decals can be applied to t-shirts of your choice at most any t-shirt shop, or can be applied by you, your Lady, or the little old lady next door. Dont be picky about who puts them on, they look great!

PRICE? Only a finif, Five Bucks, five marks, BUT BE SURE TO SEND THE BREAD IN U.S. DOLLARS or the equivalent!

They may be obtained from:

John F. Busby II  
6634 SW 41st ST  
Davie, FL 33314

John is a clever young man, and has filled another gap in the needs for ADAM with his keyboard overlays. Many programs for ADAM are available now, and if you switch from one to the other, trying to remember what the keys perform, from one time to another, is extremely difficult.

You usually wind up with a manual in one hand, the other hand steadying it on your knee, the other hand getting needed materials and the other two pounding the keyboard. (See what I mean, not enough hands!) These keyboard overlays are made in sixteen different formats:

- |                        |                           |
|------------------------|---------------------------|
| 1. AUTO-AID            | 9. DESK SET [B]           |
| 2. ADAMLINK            | 10. DESK SET [M]          |
| 3. ADAM WORD PROCESSOR | 11. DESK SET [F]          |
| 4. SMARTTYPE W/P       | 12. SMARTFILER            |
| 5. VIDEOTUNES          | 13. RECIPE FILER          |
| 6. SMARTPELLER         | 14. SMART LETTERS & FORMS |
| 7. FAST-FILER          | 15. FINANCE/LOANS         |
| 8. DATA-CALC           | 16. PAINTMASTER           |

These jewels can be had for only a buck and a quarter apiece \$1.25 or you can steal all 16 for only eleven bucks! That \$11.00 will be some of the best money you ever spent, if you are a user of any of the above programs, and who isn't? They will save you a lot of time shuffling manuals, making trips to your psychiatrist, which cuts down on bread and computer time.

Once again, Checks are O.K., if you live in the 50, if not send the equivalent in U.S. dollars. I believe John has some other projects too. WRITE HIM!!

## SOFTWARE CATALOG

Our software library is becoming so large, that for reasons of sheer size, and postage, we can no longer include it in the newsletter or an introductory brochure.

We have perhaps, the largest variety of fine software, and adding titles constantly.

Our catalog includes:

Word processors	Spreadsheets
Database Managers	Business
Telecommunications	Accounting/Finance
Applications	Art. Intelligence
Educational	ASM Language
Text Processors	Languages, misc.

DOS-BASIC-PASCAL-COBOL-FORTH-PROLOG-LISP

Genealogy-Music-Games-Graphics

Misc Utilities Screen Editors

Ramdisk Software File Recovery

Mathematics (simple & advanced)

Printer Utilities & Spoolers

Security-Hackers-Crackers

Desktop Utilities

Converters--CP/M 2.2, CP/M+(3)-CP/M 80-86

In future, this catalog will be furnished to members only, on either disk or ddp, for a fee of \$3.95 disk, \$4.95, special ddp.

The member may return the disk or ddp, 4 times a year, quarterly, for upgrading. The charge will be only for a \$2.00 HIS fee.

There will now be a COMBINED order form, to be used for software and all other items, in the newsletter and sent with each order. This order form MUST BE SIGNED AND DATED, in the appropriate places, and must be the ORIGINAL, NOT a copy. New forms will be sent with each order. READ before signing!

With selections into what seems astronomical figures, this appears to be the only way of handling this situation. We have, or will have, every known program for ADAM, and many transported from other formats.

We thank you for your continued support.

# T H E I B M - C O M P A T I B L E P A G E

This page will be devoted to the hardware and software we offer for our own, and other IBM and Compatible computers.

LOOK FOR REDUCED PRICES, MANY ARE AT REAL SAVINGS !!!

## NEW FULLY COMPATIBLE HARDWARE FOR IBM & COMPATIBLES

EXPANDED MEMORY 2 MEGABYTE PLUS, for PC, XT, and AT, compatibles. Conforms to INTEL, LOTUS, specifications. For all EGA, CGA, VGA, etc., applications. With software for graphics, ramdisk, spooler, etc. Manual furnished. The absolutely finest board of its type available. You may buy cheaper, but you will not buy better. List price, \$459.00, to our members # IBM-EX2, \$149.95, + \$10.00, HIS. for the AT order # IBM-EX3, \$199.95, + \$10.00 HIS. These are at LEAST \$50.00 OFF our best price!

RAM CHIPS, for these and other memory boards we sell. 120 ns tested, approved 256k sets. BEWARE CHEAP CHIPS! Some do not work when you get them, others cause trouble, some fail. Ours are guaranteed to function perfectly. \$49.00 per set, PRICE REDUCED \$6.00!! No HIS if installed by us, \$2.50, if not.

MULTI-GRAPHICS 3 BOARD. Hercules monographics compatible, 750 X 350, RGB, CGA, EGA, VGA, MGA compatible, top color 650 X 400. Top Mono 750 X 400. Resolution guaranteed to be as good, or better than advertised! Highest quality board obtainable, nearest competition \$500 more. Cost # IBM-MG 3, \$349.00, + \$10.00 HIS.

MODEMAX 300/1200 external modem. Everything automatic, has voice switch, 8 status LED's, three pushbuttons, 100% HAYES compatible, with IBM or Standard Centronics Cable. All instructions, etc. Excellent performer. \$139.95, + \$5.00 HIS LOW INTRODUCTORY PRICE.

CABINET, Flip Top, Push Button Operated, easy to get boards in & out, standard color, takes up to FOUR DRIVES (HH) with speaker, and all hardware, to accommodate perfectly all PC, PC-XT and Turbo-XT Boards, Clones too. The boxes that slide-apart are mighty inconvenient. These are fine cabinets. LOW INTRODUCTORY PRICE, \$49.00, +\$12.50 HIS, CONUS

DRIVES Genuine IBM half height, double side, double density drives. The best to be had. You can buy cheaper, but save your complaints for the supplier. These are what we use for IBM & Compatible work. \$98.00 each, + \$7.50 HIS, CONUS, add \$7.00 for ones with IBM logo.

---

### PRICES REDUCED !!

#### IBM - COMPATIBLE SOFTWARE

- VOL IB-1 MUSIC FOR MUSICIANS. Lets you compose what you like, correct, record, correct, play back.
- VOL IB-2 BASIC. RUNS BASIC PROGRAMS. A vital necessity for real work.
- VOL IB-3 dBASE. DATABASE MANAGEMENT SYSTEM providing on-line help, and with screen editing functions.
- VOL IB-4 THE CHECKBOOK. All the checkbook functions & utilities you'll ever need. TAKE CARE OF YOUR MONEY!
- VOL IB-5 SPREADSHEET. The accounting package. General ledger type, used by accountants.
- VOL IB-6 BUSINESS ACCOUNTING. Payroll, Accounts Receivable/Payable, Inventory, Depreciation, Processing 1099 forms, etc.
- VOL IB-7 PAYROLL. Specifically payroll. Includes all tax systems, forms, reports, other features relating to payroll.
- VOL IB-8 THE SALESMAN. Prints sales brochures, letters, memos, forms, outlines, etc. QUICK!
- VOL IB-9 THE DESKNATES. Better than SIDEKICK and the rest of the desk-top utilities.
- VOL IB-10 THE COMMUNICATOR. The fastest and best communications (modem) software available at any price.
- VOL IB-11 THE "LATEST WORD". A word processor, better, faster, much easier to learn than Wordstar, at a fraction of the price.
- VOL IB-12 KIDSWORD. Word processing for kids! Eliminates all the excess baggage & makes sense for kids.
- VOL IB-13, 14, 15, 16, 17, ALL GRAPHICS Programs, from simple to very elaborate. All require dot matrix or similar printers.

All the foregoing are the results of a great deal of time spent searching to bring the very cream of the crop to our members. It is NOT necessary to spend many hundreds of dollars for a single database, accounting or Basic program, or for others. These are as good as they come, and often, hundreds of dollars cheaper.

-- BEST PRICES YET !! --

ANY ONE OF THE ABOVE PROGRAMS, \$11.95, + \$2.50 HIS!! 5 or more \$9.95 ea.! Self-documenting, all you need is on the disk.

--- H I N T S & K I N K S ---  
for SMARTwriter

As you have most likely discovered, SMARTwriter will not recognize a second disk drive, even if you have a second connected! The apparent cure would lie in the reprogramming of the ROM, and I doubt if it would be worth the trouble.

THE ADAM "BUMP" up & down. The ADAM SMARTwriter adds an extra carriage return every time it saves a program or data to disk or ddp. Then when the file is loaded, this extra carriage return is removed. If you have ever had scrambled info at the end of a long file, which does not end with a carriage return, this is the most likely reason. Try to get into the habit of ending your files with a carriage return. It is an easy habit to develop. Just add a tap on the "RETURN" key, when you are finished.

USING THE "TAB" KEY actually puts spaces on the screen and in your saved material, while the cursor does not. Using the cursor to perform this function usually results in material being in an entirely different place than what is displayed on the screen, after it is passed to disk or ddp, or printed. Just remember, do not use the cursor keys to insert spaces, or to drop down a line, when continuing your entering.

PLAYING SAFE WITH THE CURSOR. When working in SMARTwriter, and you have gone back to alter text (edit, delete, add) and you are finished with the alterations, BE CERTAIN TO DROP THE CURSOR to the end of your material! Otherwise you are going to lose data.

-----  
N O W I S A G O O D T I M E T O S E N D G I F T S ! ! ! ! !

MAKE SOMEONE, OR YOURSELF HAPPY! SEND SOFTWARE--HARDWARE--and MEMBERSHIPS  
Just send us the name of the person or persons to whom you wish to give the gift, enclose a Money Order to cover, and we will take care of it, in your name. Note the sale prices! Save money by ordering now! Use the form below for gift memberships, and the standard order form for software & hardware.

**TO:** \_\_\_\_\_  
NAME

\_\_\_\_\_  
COMPANY

\_\_\_\_\_  
ADDRESS

\_\_\_\_\_  
CITY/STATE/ZIP

**TO:** \_\_\_\_\_  
NAME

\_\_\_\_\_  
COMPANY

\_\_\_\_\_  
ADDRESS

\_\_\_\_\_  
CITY/STATE/ZIP

**TO:** \_\_\_\_\_  
NAME

\_\_\_\_\_  
COMPANY

\_\_\_\_\_  
ADDRESS

\_\_\_\_\_  
CITY/STATE/ZIP

**FROM:** \_\_\_\_\_  
NAME

\_\_\_\_\_  
COMPANY

\_\_\_\_\_  
ADDRESS

\_\_\_\_\_  
CITY/STATE/ZIP

Please use a separate sheet of paper to enter additional gifts.  
\*Please note: all gift subscriptions begin with January 1988 issue.

!!!! NOTICE !!!!

The ADAM schematics are printed on one side of a page, only, in order that they may be cut and or pasted together, if desired.

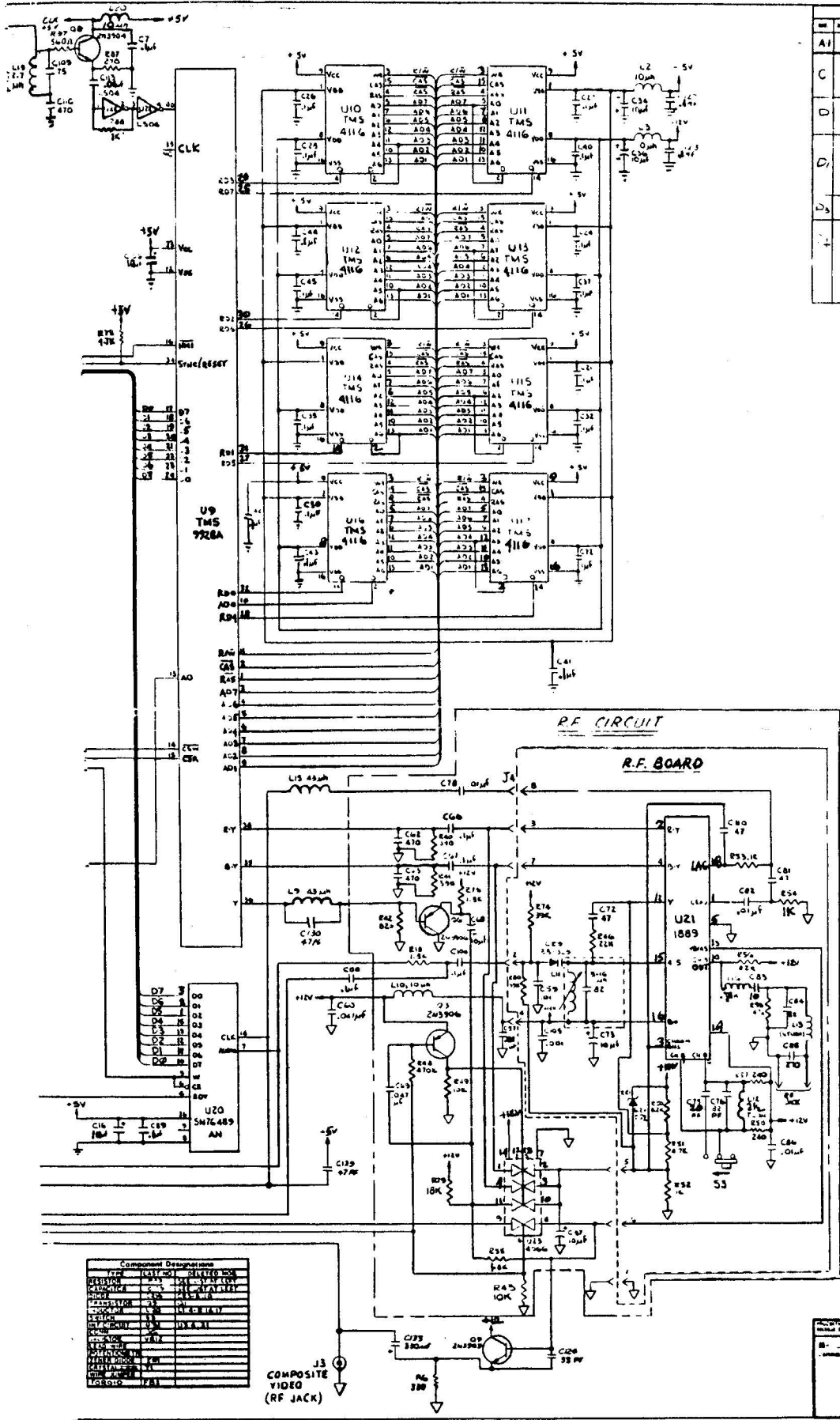
!!!SAVE THEM!!!

You may need them for later troubleshooting, repair, parts identification, and will surely need them for interfacing some ADAM upgrades.

---

SOFTWARE TRADES

People often write in, asking whether we trade programs, games, etc.. We most certainly do, on the basis of TWO of your disks or ddps which we do not have. in exchange for programs, games, utilities, etc., shown on our list. PLEASE! Send only good material, which would be of interest to our members.



REV	DATE	BY	CHK	APP
A1				
C				
D				
D1				
D2				
E				

PRODUCTION RELEASE  
for Manufacturing  
or Purchasing

TYPE	QTY	RELEASED
RESISTOR	24	24
CAPACITOR	24	24
IC	24	24
TRANSISTOR	24	24
DIODE	24	24
INDUCTOR	24	24
CONNECTOR	24	24
WIRE	24	24
PCB	24	24
OTHER	24	24
TOTAL	24	24

COLECO  
SCHEMATIC  
DELTA GAME  
83101

**!! SPECIAL SALE !!**

**UNTIL JANUARY 15, 1988**

**OUR HOLIDAY GIFTS TO MEMBERS!!**

**#MFEC Multifunction Exp. Cabinet  
shown this issue, CUT to \$ 99.95**

**#BM-2 Two + Megabyte Memory Board  
for ADAM, CUT to only \$320.00 !!**

**#AI-1 ADAM-IBM Conversion, as listed  
our ads, CUT to \$450.00  
Nearly a hundred fifty bucks off!**

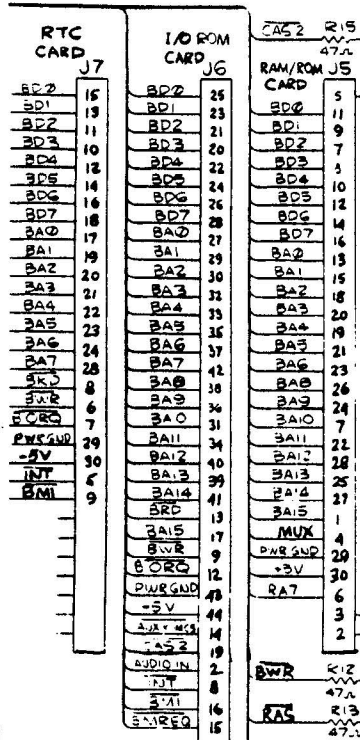
**These are special order items, and  
after JANUARY 15, std prices apply!**

**TAKE 15% off any other advertised  
hardware items on our  
NEW PRODUCTS FOR ADAM List!**

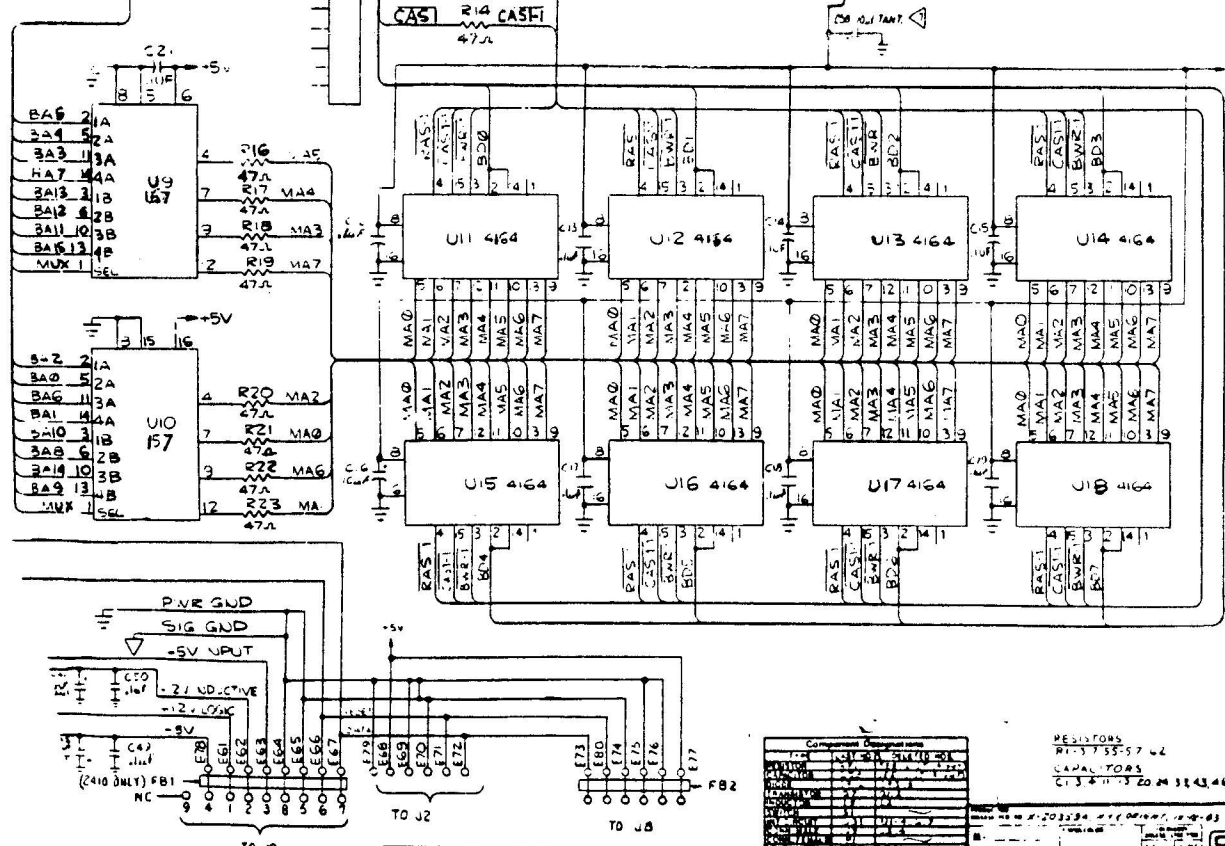
**Orders not received in time for  
pre Holidays delivery, will be  
delivered after the Holidays**

**DONT WAIT! GET ORDERS IN NOW!!!!**





REV	DATE	DESCRIPTION	BY	CHK	APP
D		REV 4 FROM NEVER RELEASED	23	RT	PC
U1		REV 4 FROM NEVER RELEASED	03	MM	PC
U2		REV 4 FROM NEVER RELEASED	03	MM	PC
U3		REV 4 FROM NEVER RELEASED	03	MM	PC
U4		REV 4 FROM NEVER RELEASED	03	MM	PC
U5		REV 4 FROM NEVER RELEASED	03	MM	PC
U6		REV 4 FROM NEVER RELEASED	03	MM	PC
U7		REV 4 FROM NEVER RELEASED	03	MM	PC
U8		REV 4 FROM NEVER RELEASED	03	MM	PC
U9		REV 4 FROM NEVER RELEASED	03	MM	PC
U10		REV 4 FROM NEVER RELEASED	03	MM	PC
U11		REV 4 FROM NEVER RELEASED	03	MM	PC
U12		REV 4 FROM NEVER RELEASED	03	MM	PC
U13		REV 4 FROM NEVER RELEASED	03	MM	PC
U14		REV 4 FROM NEVER RELEASED	03	MM	PC
U15		REV 4 FROM NEVER RELEASED	03	MM	PC
U16		REV 4 FROM NEVER RELEASED	03	MM	PC
U17		REV 4 FROM NEVER RELEASED	03	MM	PC
U18		REV 4 FROM NEVER RELEASED	03	MM	PC
U19		REV 4 FROM NEVER RELEASED	03	MM	PC
U20		REV 4 FROM NEVER RELEASED	03	MM	PC
U21		REV 4 FROM NEVER RELEASED	03	MM	PC
U22		REV 4 FROM NEVER RELEASED	03	MM	PC
U23		REV 4 FROM NEVER RELEASED	03	MM	PC
U24		REV 4 FROM NEVER RELEASED	03	MM	PC
U25		REV 4 FROM NEVER RELEASED	03	MM	PC
U26		REV 4 FROM NEVER RELEASED	03	MM	PC
U27		REV 4 FROM NEVER RELEASED	03	MM	PC
U28		REV 4 FROM NEVER RELEASED	03	MM	PC
U29		REV 4 FROM NEVER RELEASED	03	MM	PC
U30		REV 4 FROM NEVER RELEASED	03	MM	PC
U31		REV 4 FROM NEVER RELEASED	03	MM	PC
U32		REV 4 FROM NEVER RELEASED	03	MM	PC
U33		REV 4 FROM NEVER RELEASED	03	MM	PC
U34		REV 4 FROM NEVER RELEASED	03	MM	PC
U35		REV 4 FROM NEVER RELEASED	03	MM	PC
U36		REV 4 FROM NEVER RELEASED	03	MM	PC
U37		REV 4 FROM NEVER RELEASED	03	MM	PC
U38		REV 4 FROM NEVER RELEASED	03	MM	PC
U39		REV 4 FROM NEVER RELEASED	03	MM	PC
U40		REV 4 FROM NEVER RELEASED	03	MM	PC
U41		REV 4 FROM NEVER RELEASED	03	MM	PC
U42		REV 4 FROM NEVER RELEASED	03	MM	PC
U43		REV 4 FROM NEVER RELEASED	03	MM	PC
U44		REV 4 FROM NEVER RELEASED	03	MM	PC
U45		REV 4 FROM NEVER RELEASED	03	MM	PC
U46		REV 4 FROM NEVER RELEASED	03	MM	PC
U47		REV 4 FROM NEVER RELEASED	03	MM	PC
U48		REV 4 FROM NEVER RELEASED	03	MM	PC
U49		REV 4 FROM NEVER RELEASED	03	MM	PC
U50		REV 4 FROM NEVER RELEASED	03	MM	PC
U51		REV 4 FROM NEVER RELEASED	03	MM	PC
U52		REV 4 FROM NEVER RELEASED	03	MM	PC
U53		REV 4 FROM NEVER RELEASED	03	MM	PC
U54		REV 4 FROM NEVER RELEASED	03	MM	PC
U55		REV 4 FROM NEVER RELEASED	03	MM	PC
U56		REV 4 FROM NEVER RELEASED	03	MM	PC
U57		REV 4 FROM NEVER RELEASED	03	MM	PC
U58		REV 4 FROM NEVER RELEASED	03	MM	PC
U59		REV 4 FROM NEVER RELEASED	03	MM	PC
U60		REV 4 FROM NEVER RELEASED	03	MM	PC
U61		REV 4 FROM NEVER RELEASED	03	MM	PC
U62		REV 4 FROM NEVER RELEASED	03	MM	PC
U63		REV 4 FROM NEVER RELEASED	03	MM	PC
U64		REV 4 FROM NEVER RELEASED	03	MM	PC
U65		REV 4 FROM NEVER RELEASED	03	MM	PC
U66		REV 4 FROM NEVER RELEASED	03	MM	PC
U67		REV 4 FROM NEVER RELEASED	03	MM	PC
U68		REV 4 FROM NEVER RELEASED	03	MM	PC
U69		REV 4 FROM NEVER RELEASED	03	MM	PC
U70		REV 4 FROM NEVER RELEASED	03	MM	PC
U71		REV 4 FROM NEVER RELEASED	03	MM	PC
U72		REV 4 FROM NEVER RELEASED	03	MM	PC
U73		REV 4 FROM NEVER RELEASED	03	MM	PC
U74		REV 4 FROM NEVER RELEASED	03	MM	PC
U75		REV 4 FROM NEVER RELEASED	03	MM	PC
U76		REV 4 FROM NEVER RELEASED	03	MM	PC
U77		REV 4 FROM NEVER RELEASED	03	MM	PC
U78		REV 4 FROM NEVER RELEASED	03	MM	PC
U79		REV 4 FROM NEVER RELEASED	03	MM	PC
U80		REV 4 FROM NEVER RELEASED	03	MM	PC
U81		REV 4 FROM NEVER RELEASED	03	MM	PC
U82		REV 4 FROM NEVER RELEASED	03	MM	PC
U83		REV 4 FROM NEVER RELEASED	03	MM	PC
U84		REV 4 FROM NEVER RELEASED	03	MM	PC
U85		REV 4 FROM NEVER RELEASED	03	MM	PC
U86		REV 4 FROM NEVER RELEASED	03	MM	PC
U87		REV 4 FROM NEVER RELEASED	03	MM	PC
U88		REV 4 FROM NEVER RELEASED	03	MM	PC
U89		REV 4 FROM NEVER RELEASED	03	MM	PC
U90		REV 4 FROM NEVER RELEASED	03	MM	PC
U91		REV 4 FROM NEVER RELEASED	03	MM	PC
U92		REV 4 FROM NEVER RELEASED	03	MM	PC
U93		REV 4 FROM NEVER RELEASED	03	MM	PC
U94		REV 4 FROM NEVER RELEASED	03	MM	PC
U95		REV 4 FROM NEVER RELEASED	03	MM	PC
U96		REV 4 FROM NEVER RELEASED	03	MM	PC
U97		REV 4 FROM NEVER RELEASED	03	MM	PC
U98		REV 4 FROM NEVER RELEASED	03	MM	PC
U99		REV 4 FROM NEVER RELEASED	03	MM	PC
U100		REV 4 FROM NEVER RELEASED	03	MM	PC



COMPONENT	VALUE	REF
RESISTORS		
CAPACITORS		
TRANSFORMERS		
ICs		
DIODES		
RELAYS		
CONNECTORS		
WIRE		
PRINTED BOARD		
ASSEMBLY		
TESTING		
REPAIR		
REWORK		
DISMANTLING		
PACKAGING		
SHIPPING		
RECEIVING		
INSPECTION		
STORAGE		
DISPOSAL		

RESISTORS  
R1-37 55-57 42  
CAPACITORS  
C1-3 4 5 20 24 31 43 46 47

**PRODUCTION RELEASE**  
For Manufacturing  
Or Purchasing

**COLECO**  
SCHEMATIC  
GAMMA  
24042610  
41843

!! SPECIAL SALE !!

UNTIL JANUARY 15, 1988

OUR HOLIDAY GIFTS TO MEMBERS!!

#MFEC Multifunction Exp. Cabinet  
shown this issue, CUT to \$ 99.95

#BM-2 Two + Megabyte Memory Board  
for ADAM, as shown \$320.00

#AI-1 ADAM-IBM Conversion, as listed  
our ads, CUT to \$450.00  
Nearly a hundred fifty bucks off!

These are special order items, and  
after JANUARY 15, std prices apply!

TAKE 15% off any other advertised  
hardware items on our  
NEW PRODUCTS FOR ADAM List!

Orders not received in time for  
pre Holidays delivery, will be  
delivered after the Holidays

DONT WAIT! GET ORDERS IN NOW!!!!



